

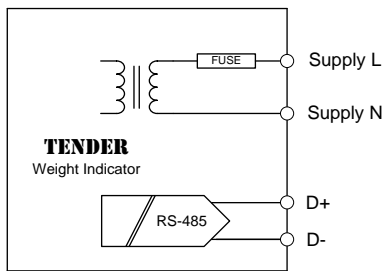
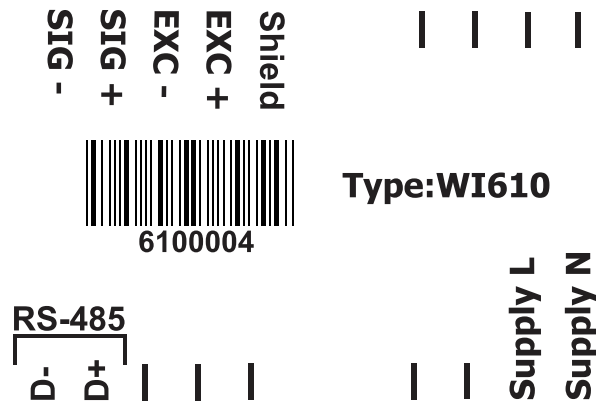
TENDER Weight Indicator with RS485 Modbus Output

Model WI610

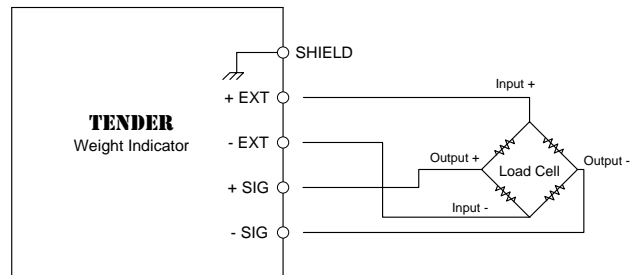
Pin Configuration

Specifications

Operating Voltage	230VAC,50Hz
Power Consumption	Approx. 3VA
Operating Temperature	-10 °C ~ 60 °C
Load Cell Excitation	DC 5V , 60mA
A/D Sampling speed	Max 25 times/sec
Display	5 Digit LED 7-segment
Analog Input range	0 ~ +40mV
Input impedance	10MΩ
Baud Rates	38400 ~ 115200 bps
Isolated RS-485 port	Max 2500 VRMS
Size	96 X 96 X 72 mm



Supply and RS485 connection



Load cells connection

1) Load cell error messages

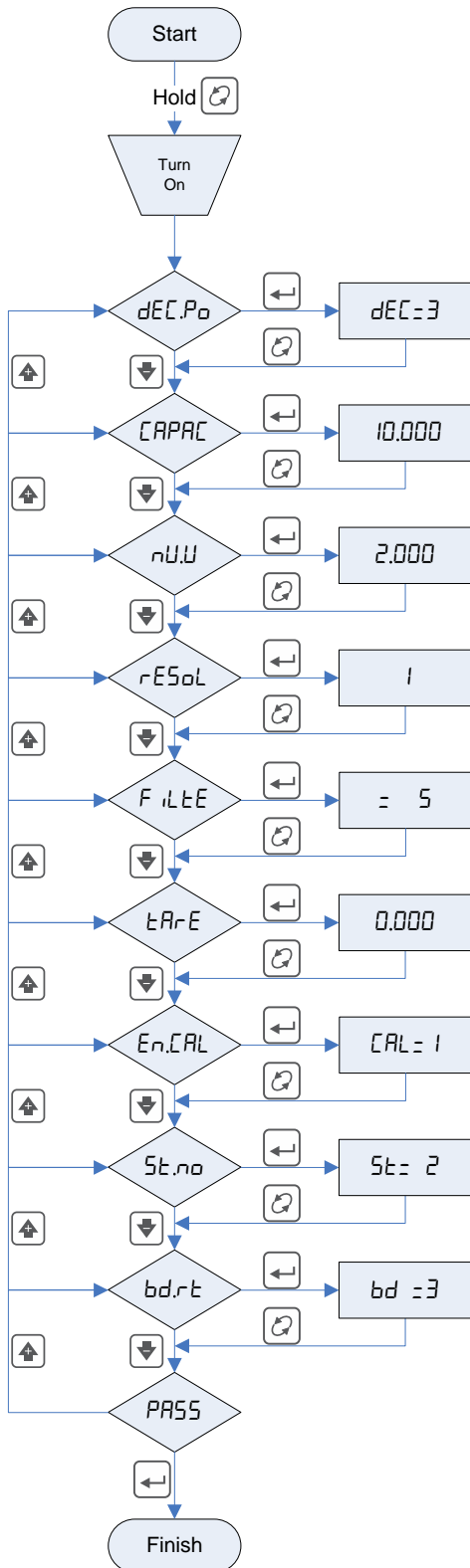
- **n.CELL** : It indicates disconnection or displacement of load cell wires or load cell failure.
- **S.CELL** : It indicates short circuit of load cell wires.

2) Reset factory

Hold  for 12 seconds to display **FCrSt** (blinker), then press .

3) Main setting menu of the device

In order to enter this section, hold  while the device is off, then turn it on.



Enter the desired float number.

Enter the maximum capacity of load cells.

Enter the MV/V value or load cells sensitivity.

Select the resolution value from 1, 2, 5 ... and 100.

Enter the digital filter level or updating time per second from 5 to 50.

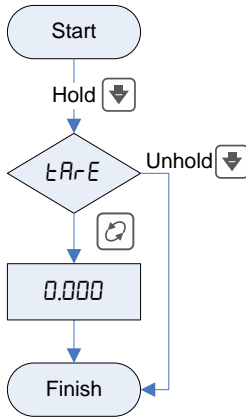
Enter the tare value or dead weight, if required.

In order to activate the manual calibration, enter 1 and to inactivate it, enter 0

Enter the desired station number (or addressee) of the device in Modbus network from 2 to 32

Enter the desired baud rate from 1 to 3, for 38400, 57600, 115200 KHz

4) Manual Tare



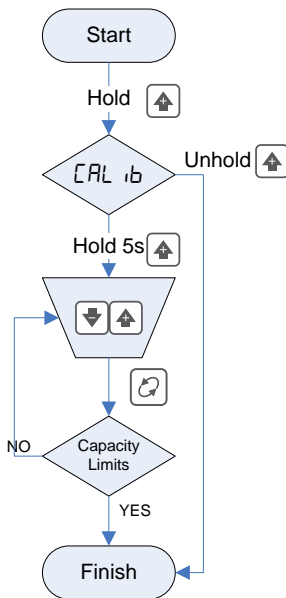
Hold [Down Arrow], the term **TARE** is displayed, while holding the key

Push [Refresh]. The display will show zero.

6) Manual calibration

If the indicated weight is not equal to the real load value, it can be calibrated manually as following. It is obvious that after performing the manual calibration, the Capacity parameter value (in the main setting section) will change automatically.

After tare, put the weight with the determined value on the balance, and start the calibration.



Hold [Up Arrow] for 5 seconds.

The display starts to blink.

By using [Up Arrow] and [Down Arrow], enter the desired weight and push [Refresh]

If the calculated new load cell capacity is not in the admissible range, the system will return to the previous step and will not quit the blinking state.

5) Modbus Output

Addresses Table

No.	Register	Address	PLC Address	R/W	SIZE	Default
1	Serial Number	0	40001	R	D-Int	-
2	Net Weight	10	40011	R	D-Int	-
3	Error	12	40013	R	Int	0
4	Capacity	13	40014	R/W	D-Int	10000
5	mv/v x 1000 (μ v/v)	15	40016	R/W	D-Int	2000
6	Update Rate (5~200)	17	40018	R/W	Int	10
7	Resolution (1,2,5,10,20,50)	18	40019	R/W	Int	1
8	Tare Value	19	40020	R/W	D-Int	0
9	Manual Calibration	21	40022	W	D-Int	-
10	Decimal Point	23	40024	R/W	Int	3
11	Zero	30	40031	W	Int	-

Baud Rates

<i>bd.r.t</i>	1	2	3
Baud Rate	38400	57600	115200
Time Out (ms)	20	20	10

Fixed Parameters

Data Bits	Parity	Stop Bits
8	None	1